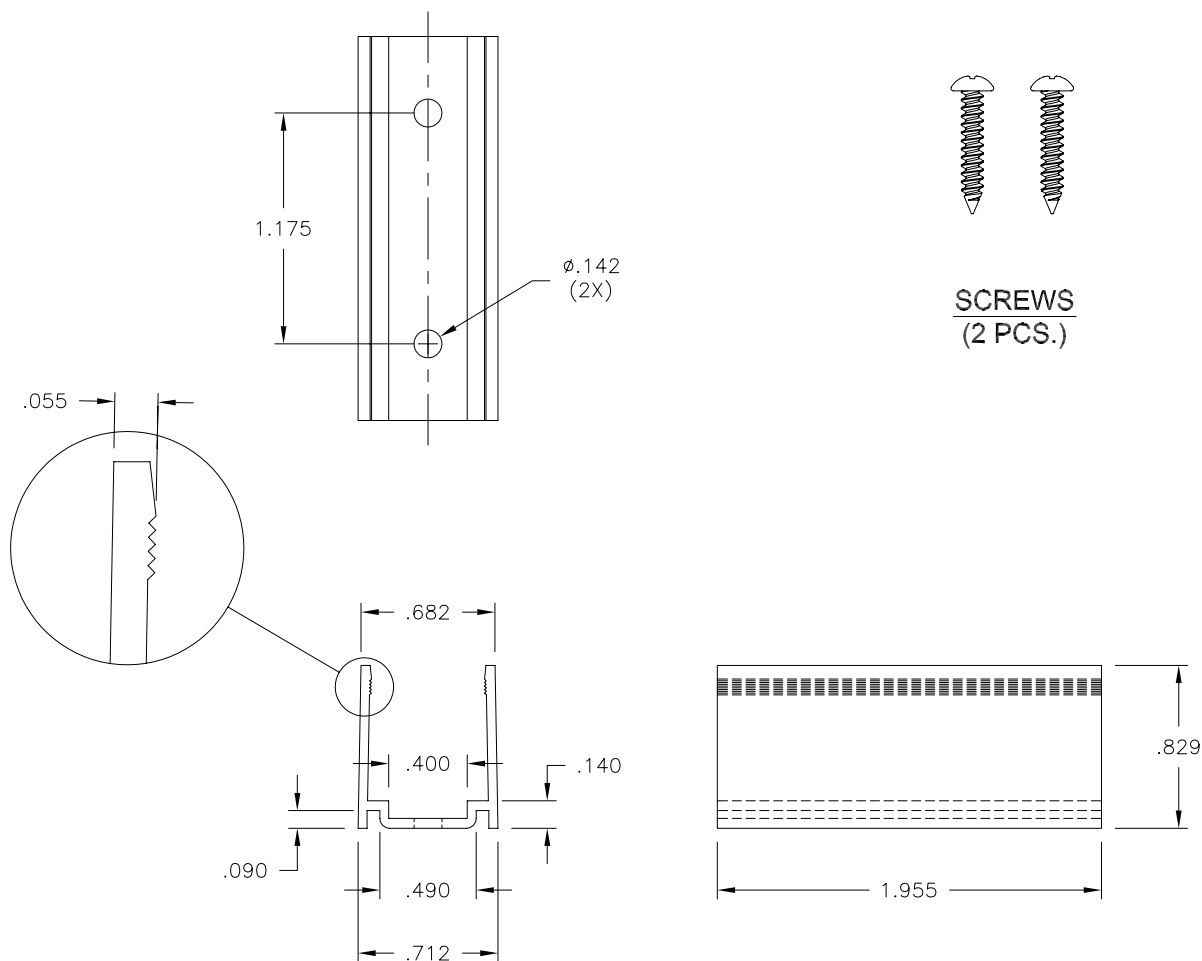


LTR	REVISION	DATE	APPD
-	RELEASED	03-03-09	



SCREWS
(2 PCS.)



NOTES:

1. MATERIAL: 6063 ALUMINUM

REVISION NOTIFICATION	
<input type="checkbox"/>	PMA
<input type="checkbox"/>	UL
<input type="checkbox"/>	CUSTOMER _____
<input type="checkbox"/>	OTHER

LED[®]
LEDTRONICS,™ INC.
23105 KASHIWA COURT
TORRANCE, CA 90505

-PROPRIETARY-
This document contains Proprietary information of LEDTRONICS,™ INC. It may not be copied, used or disclosed for any purpose without the prior express written consent of LEDTRONICS,™ INC.

.XXX ± .010 TOLERANCE PER ANSI-Y14.5
.XX ± .025 (UNLESS OTHERWISE STATED)
ANGLES ± 0°,30'
FRACT. ± 1/32

TITLE RNLD06U-5CM-001						
DWG NO RN06U001		SCALE 1:1		SHEET 1 OF 1		DATE 03-03-09
CODE IDENT NO. 8Z410	DWG BY GP	CHK BY PL	QA 03-09-09	MNFG	CUSTOMER	